



**EMERGENCY LED DRIVER**

**KVD-EMUFO-XXW-170**

**25W/30W/40W | 100-347VAC**



100-347V  
Input Voltage



170VDC  
Output Voltage



IP RATING  
Wet Location



SELF  
Diagnostic

## For wiring to the led driver's input

### Features

- UL Listed for us and canada
- Listed to UL924 and tested to CSA C22.2 NO.141 Field or factory installation
- High voltage output
- Low energy consumption CEC compliance
- Constant output power
- Self-testing
- Battery:over temperature protection

### Specifications

- Input Voltage:100~347Vac,50/60Hz
- Input Current: 200mAmax.
- Input Power Rating:12W max.
- Output Voltage:170Vdc
- Emergency Power:25W/30W/40W
- Recharge Time:24Hrs
- Discharge Time:90 minute
- Battery:Li-ion
- Warranty: 5 Years
- Ambient Temp:32~122 F(0~50 C)
- Weight:3.00 lbs(1.4kg)

### Model No.

Model No.	Output Voltage	Emergency Power	Battery Type
KVD-EM-25W-170	170Vdc	25W	Li-ion
KVD-EM-30W-170		30W	
KVD-EM-40W-170		40W	

### Indicator Light

- AC Operation, indicator light will keep on
- Emergency Operation, indicator light flash slowly (light on for 1 seconds, light off for 1 seconds)
- In a failure, indicator light flash quickly (light on for 0.02 seconds,light off for 0.02 seconds)

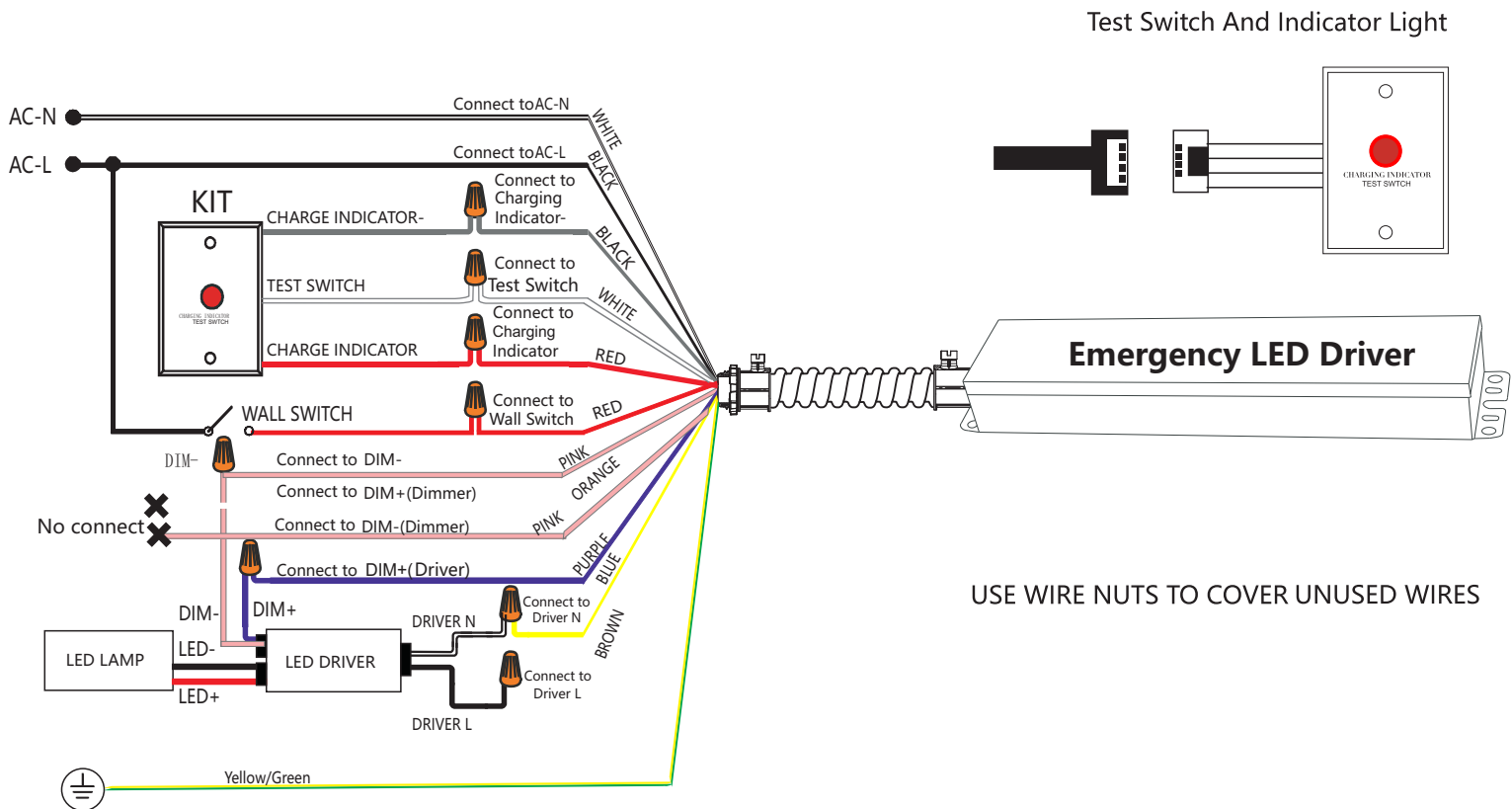
### Test Switch

- In AC Operation, press test switch once, emergency for 20 seconds
- In AC Operation, press test switch twice in asuccession within two seconds, emergency until battery is full discharged
- In the emergency operation, press test switch will turn off emergency status, and led lamp & indicator light of EM driver will go out at the same time

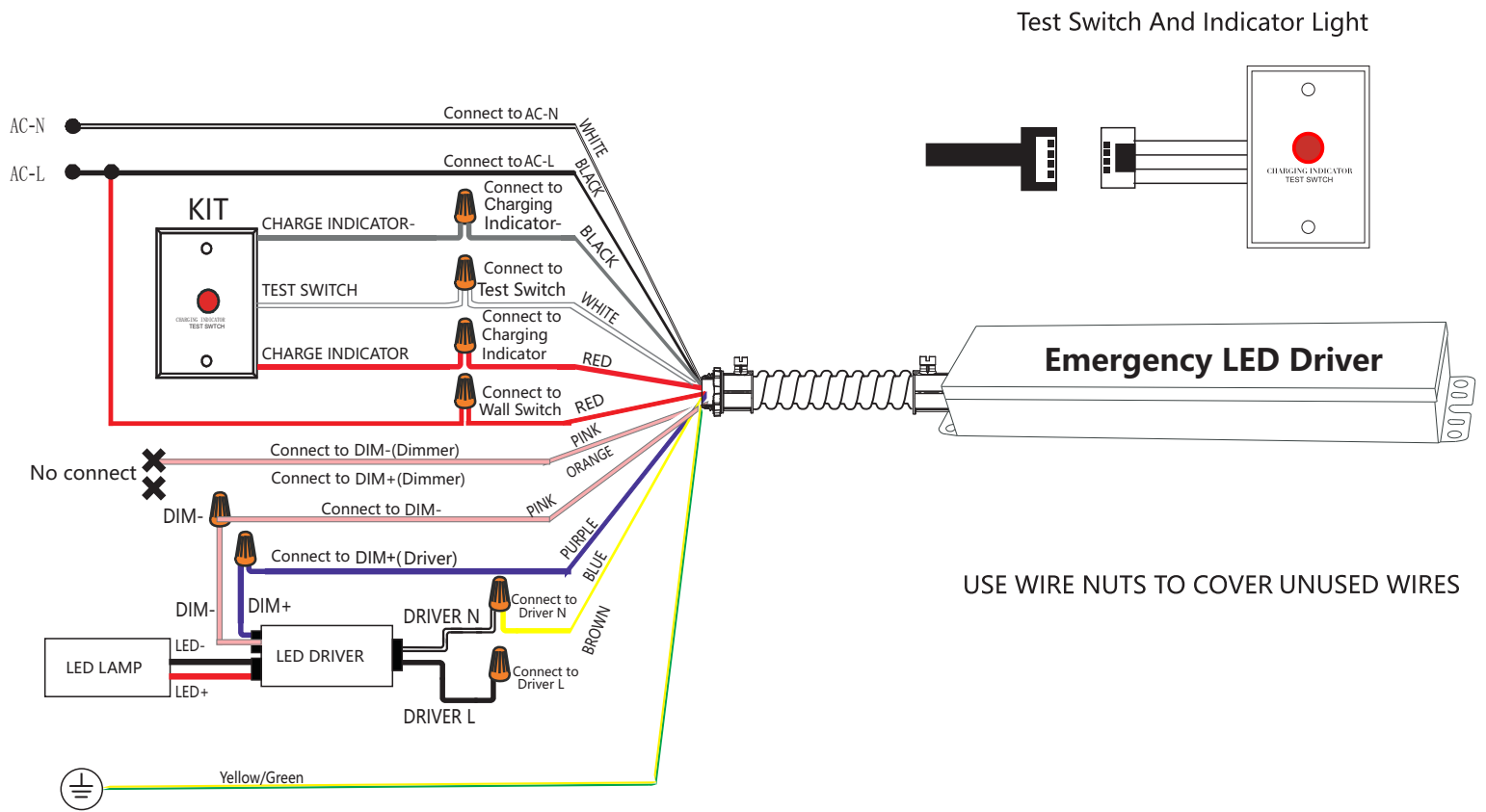
**CAUTION:**

- During AC operation, remember no touch or remove any wires in case of electric shock
- During emergency operation, before touching and disconnecting the wires, remember to press the test button again to make the led lamp and indicator light off to avoid electric shock
- The voltage input to the dimmable wires(DIM+,DIM-) of emergency LED driver must less than 20Vdc
- For emergency LED driver of KVD-EM-25W better work with LED lamp not more than 150W, for KVD-EM-30W-170/KVD-EM-40W-170 must work with LED lamp less than 300W

**1. Without Dimmer**

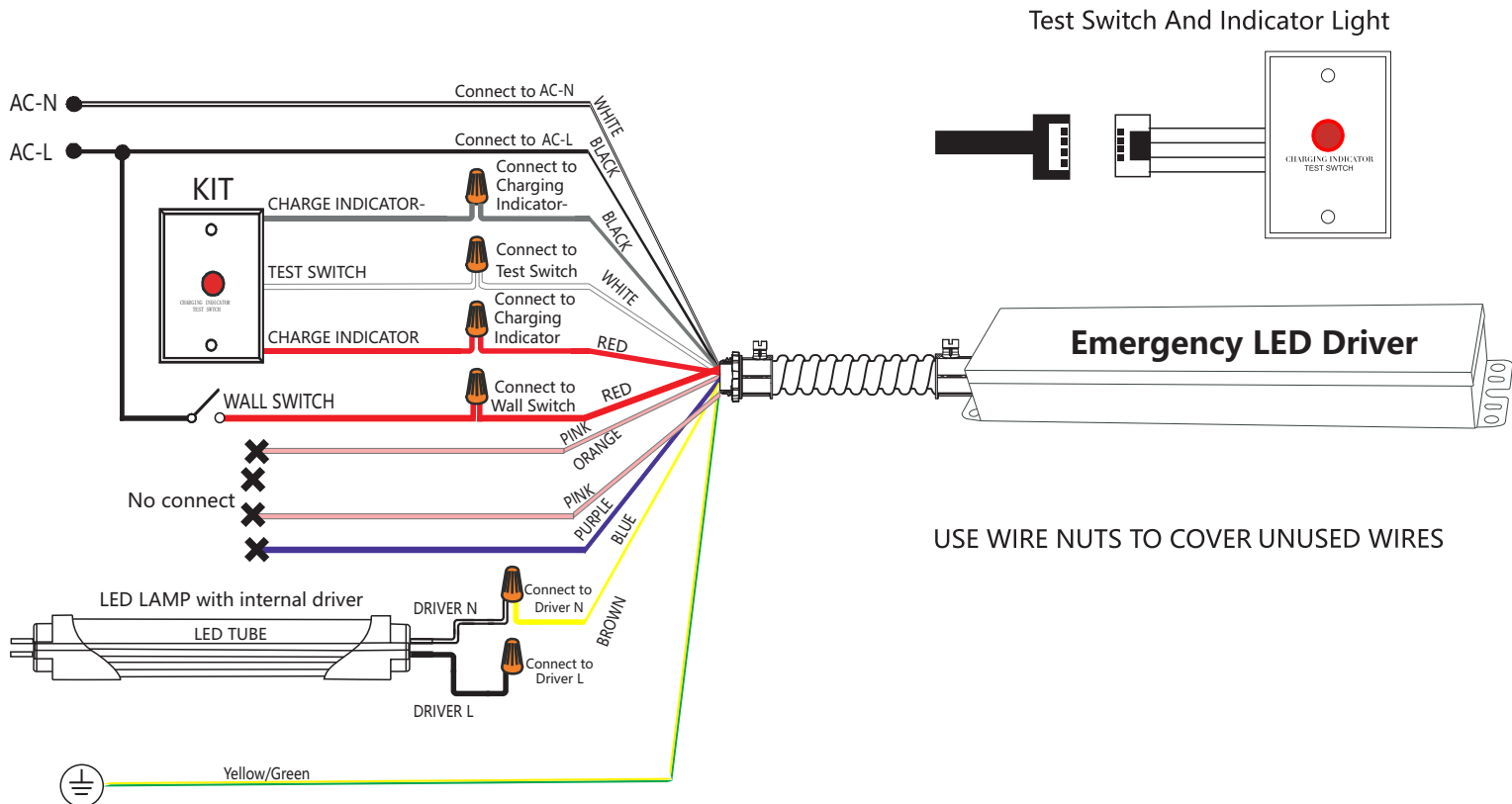


## 2. Without Switch and Without Dimmer



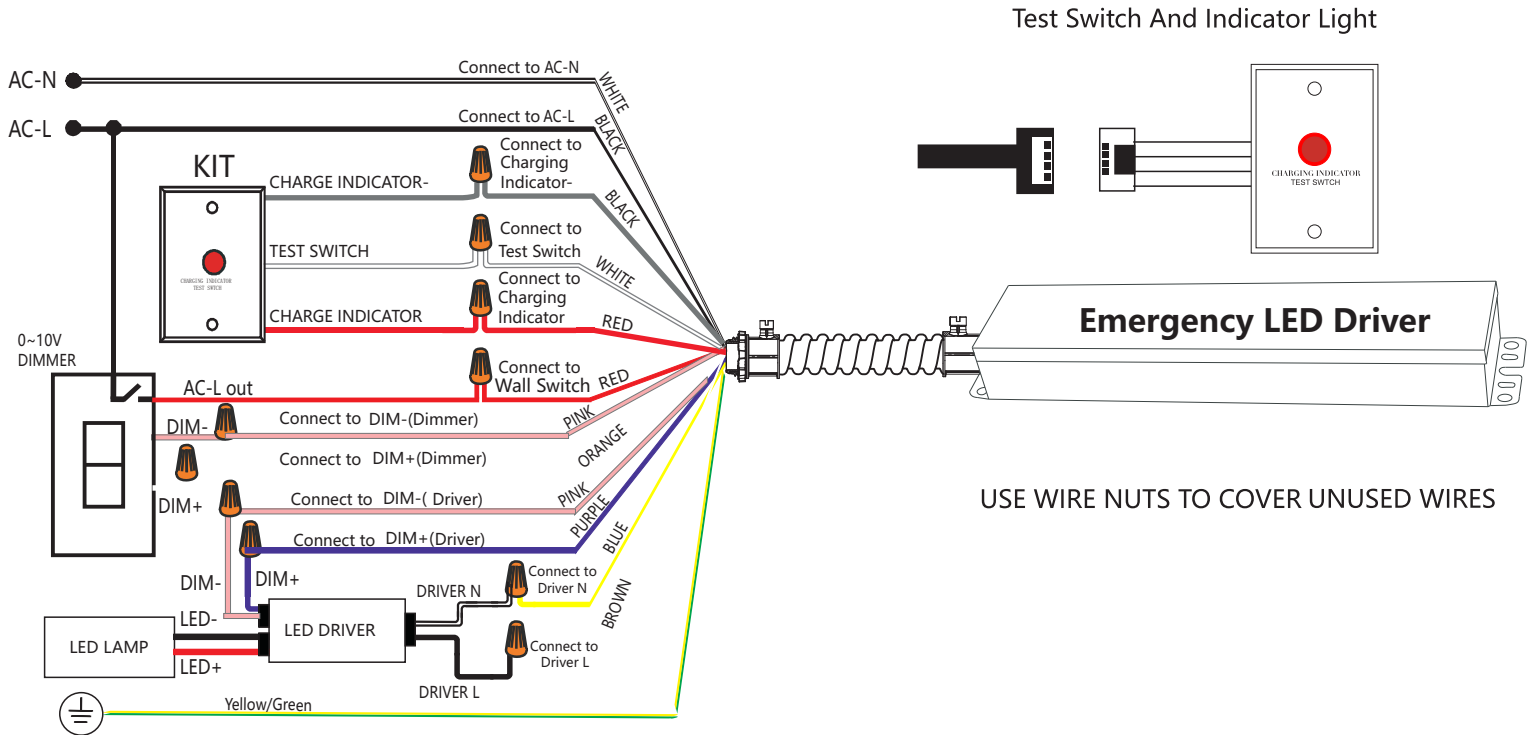
## When the led driver power less than the emergency power

### 3. Normal

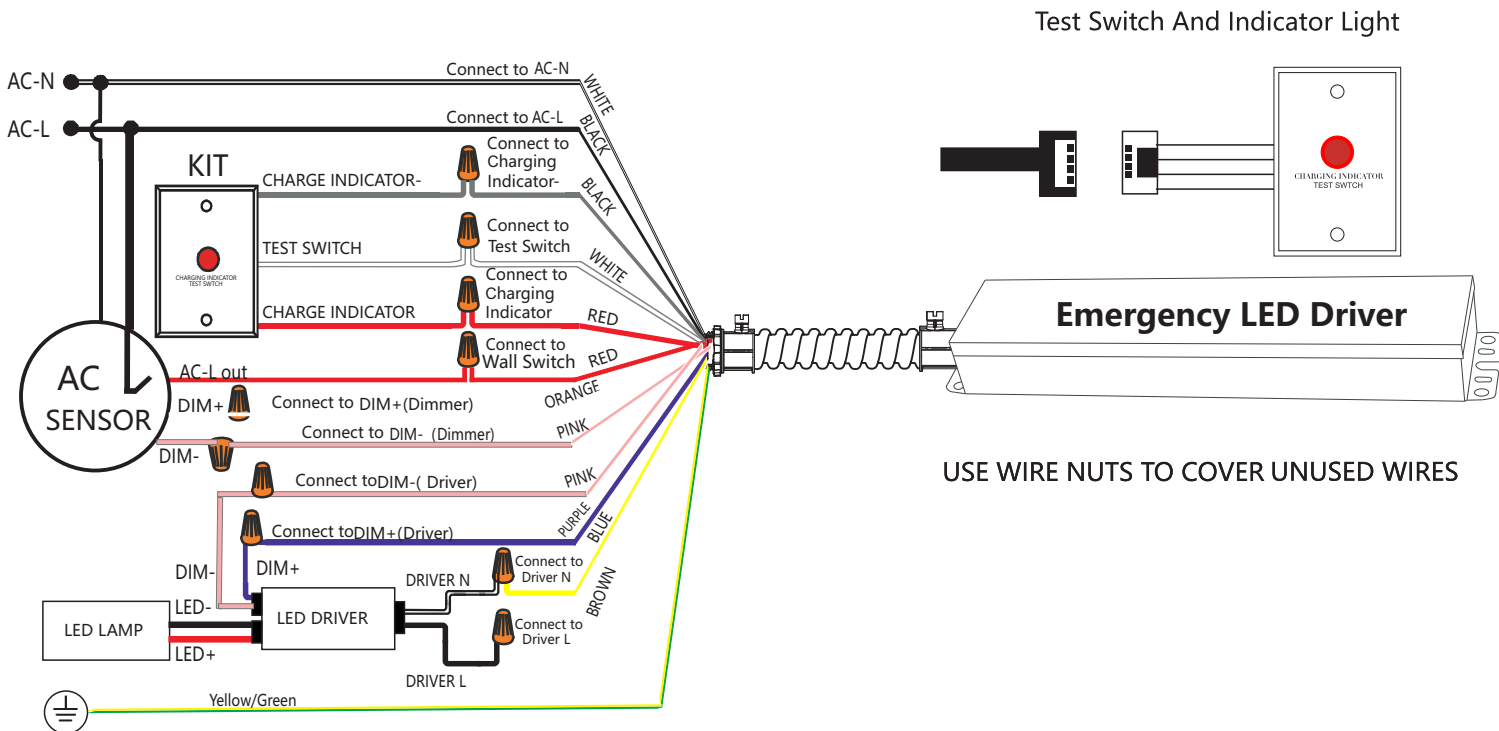


# When the led driver power more than the emergency power

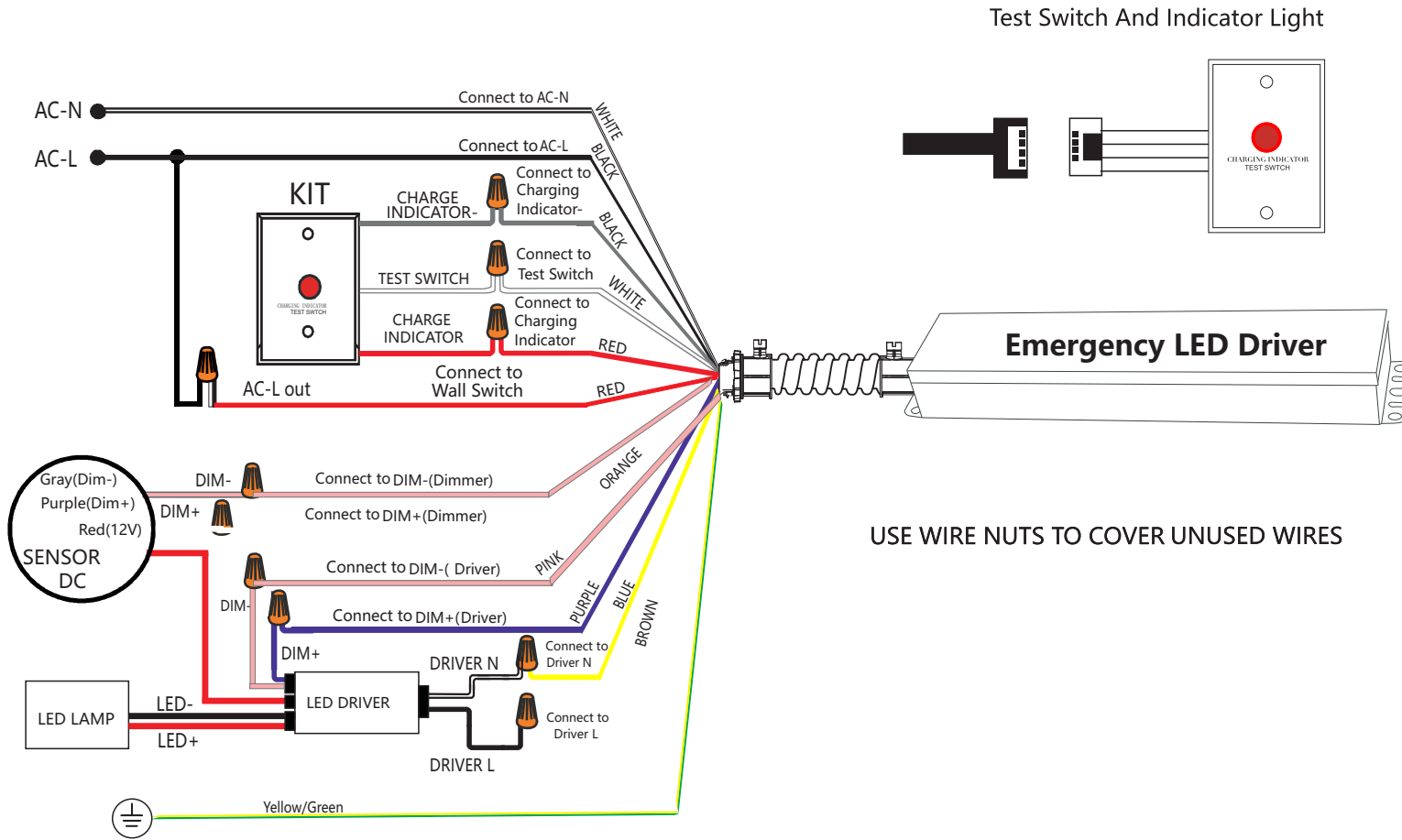
## 4. With Dimmer



## 5. With Sensor (AC)



## 6.With Sensor(DC12V)



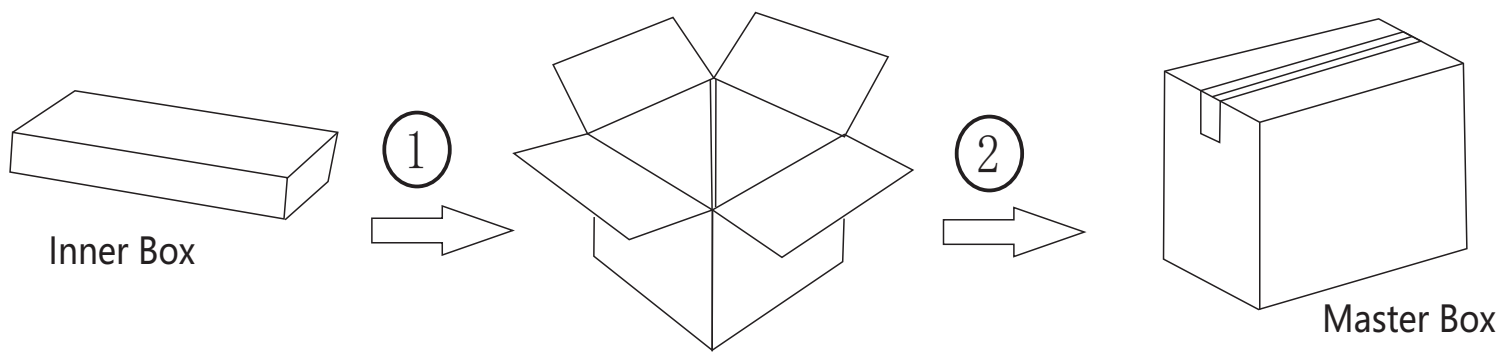
## SELF-TEST

- The emergency LED driver contains a control/monitor circuit which will perform a 30-second discharge test once a month and a fully discharge test once a year. At this time, the unit simulate an AC power failure and automatically switch to emergency mode. During routine testing, the unit will monitor the operation of the LED load, battery voltage, and emergency duration, if the unit detect any problems, the indicator Will flash quickly.

## Dimensions

LED Emergency Driver	Size(inch)											
	Length		Width		Height	Radius		Flexible Conduit	Conduit Diameter	Connector Diameter	Length of the wire	
Picture	L1	L2	W1	W2	/	R1	R2	/	/	/	/	
	12.12"	11.69"	2.36"	1.65"	1.57"	0.19"	0.19"	13.7"	0.62"	0.79"	5.91"	

## Package



Package information are as following forms

Power	Length(inch)	Width(inch)	Height(inch)	G.W(kg)	N.W(kg)	QTY(pcs)
25W	16.57"	11.81"	11.02"	13	11.5	10
30W	16.57"	11.81"	11.02"	14.5	12.8	10
40W	16.57"	11.81"	11.02"	15	13.5	10

Shenzhen KANG YUAN OF Technology Co.,Ltd.

Web: [www.szkd.com](http://www.szkd.com)

Email: [judy@szkd.com](mailto:judy@szkd.com) TEL: +086 189 2676 8556

Add: 3rd Floor,Building 12, Jincheng Hejing Industrial Park,No.87,Hexiuxilu,  
Heping Community,Fuhai Sub-District,Bao'an District,Shenzhen,  
Guangdong,China.